

Quilt Maker Pro

OPTIONAL ACCESSORY GUIDE



DECEMBER 2020



JANOME
Reliability by Design

Quilt Maker Pro

OPTIONAL ACCESSORY GUIDE

Computerized Automation



**Quilt Maker
Pro-Stitcher**

	ACCESSORY	PART NUMBER	COMPATIBILITY*			
	Quilt Maker Pro-Stitcher 20	QMPRSTITCHER-20	V	16	18	20
	Quilt Maker Pro-Stitcher	QMPRO-STITCHER	✓	✓	✓	

* V=Quilt Maker Pro Versa, 16 =Quilt Maker Pro 16, 18=Quilt Maker Pro 18, 20=Quilt Maker Pro 20

** Standard Accessory

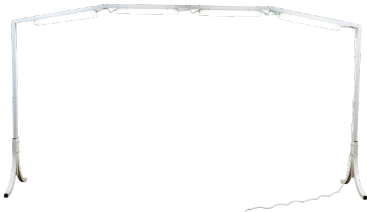


Quilt Maker Pro

OPTIONAL ACCESSORY GUIDE

Light Bars



*Pro Highlight 10'
with 2' Extension*

	ACCESSORY	PART NUMBER	COMPATIBILITY*			
			V	16	18	20
	Janome Quiltmaker Pro Highlight 10'	HG01201-10		✓	✓	✓
	Janome Quiltmaker Pro Highlight 5'	HG01201-05		✓	✓	✓
 <small>Pro Highlight 10' with 2' Extension shown</small>	Janome Quiltmaker Pro-Highlight 2 foot extension	HG01201-02		✓	✓	✓

* V=Quilt Maker Pro Versa, 16 =Quilt Maker Pro 16, 18=Quilt Maker Pro 18, 20=Quilt Maker Pro 20

** Standard Accessory

Quilt Maker Pro

OPTIONAL ACCESSORY GUIDE

Machine Feet and Accessories







	ACCESSORY	PART NUMBER	COMPATIBILITY*			
			V	16	18	20
	Couching Feet	QM00843	✓	✓	✓	✓
	Echo Feet	HG00527	✓	✓	✓	✓
	Square Foot	HG10506	✓	✓	✓	✓

* V=Quilt Maker Pro Versa, 16=Quilt Maker Pro 16, 18=Quilt Maker Pro 18, 20=Quilt Maker Pro 20

** Standard Accessory

Machine Feet and Accessories

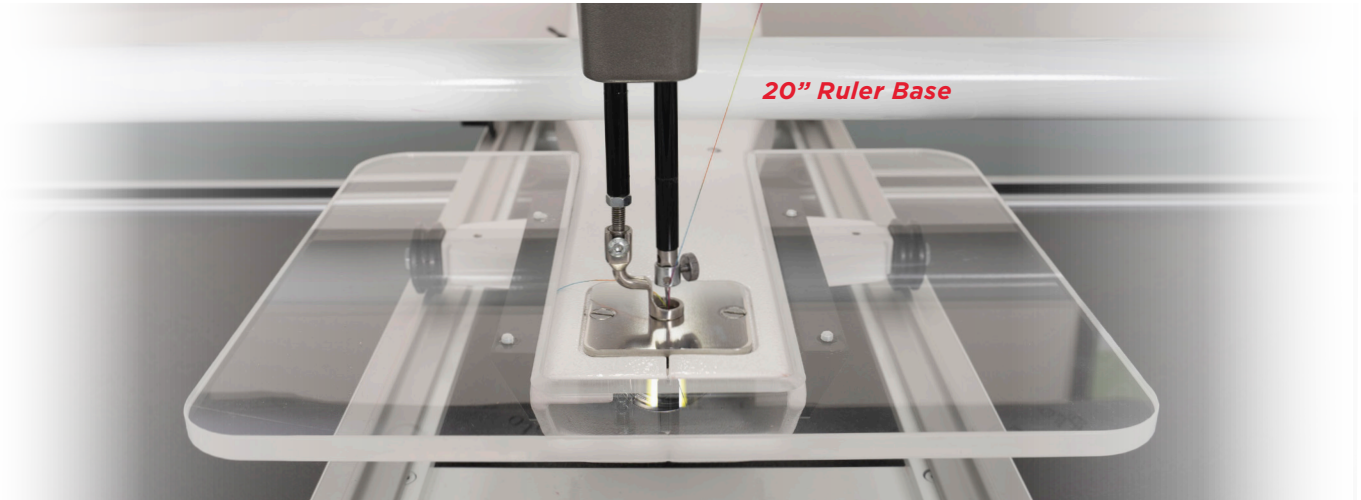
	ACCESSORY	PART NUMBER	COMPATIBILITY*			
			V	16	18	20
	EZ Ruler Foot	HG10502	✓	✓	✓	✓
	Glide 2 Foot	HG00540-JA	✓	✓	✓	✓
	Horizontal Spool Pin	HG00396	✓	✓	✓	✓
	Pinpoint Needle Laser	HG00396	✓	✓	✓	✓**

* V=Quilt Maker Pro Versa, 16 =Quilt Maker Pro 16, 18=Quilt Maker Pro 18, 20=Quilt Maker Pro 20
 ** Standard Accessory

Quilt Maker Pro

OPTIONAL ACCESSORY GUIDE

Ruler Base



	ACCESSORY	PART NUMBER	COMPATIBILITY*			
	20" Ruler Base	HG00458-JA	V	16	18	20 ✓
	18" Ruler Base	HG00454				18 ✓
	16" Ruler Base	HG00457				16 ✓

* V=Quilt Maker Pro Versa, 16=Quilt Maker Pro 16, 18=Quilt Maker Pro 18, 20=Quilt Maker Pro 20
 ** Standard Accessory

Quilt Maker Pro

OPTIONAL ACCESSORY GUIDE

Bobbins and Needles



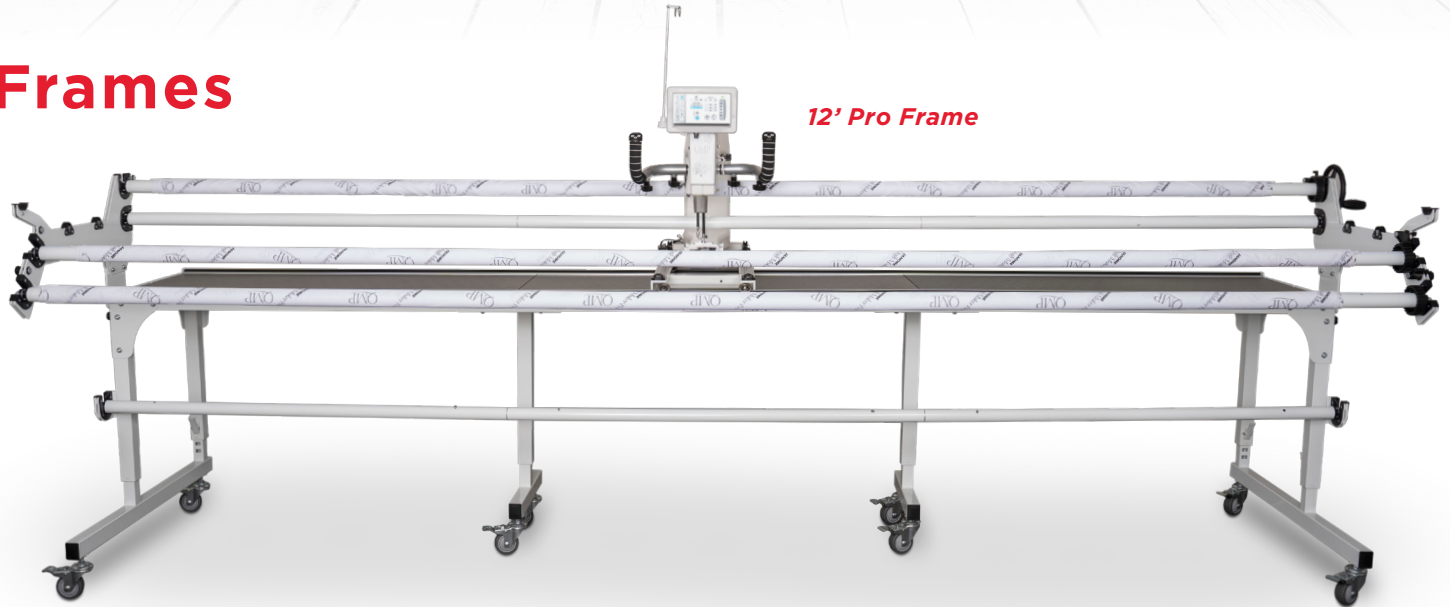
	ACCESSORY	PART NUMBER	COMPATIBILITY*			
			V	16	18	20
	Bobbin Case (1)	QM10585	✓	✓	✓	✓
	Bobbins (8 pk)	HG00238	✓	✓	✓	✓
	Needles 110/18R Black (10/pk)	QM00267	✓	✓	✓	✓
	Needles 110/16R Purple (10/pk)	QM00246	✓	✓	✓	✓

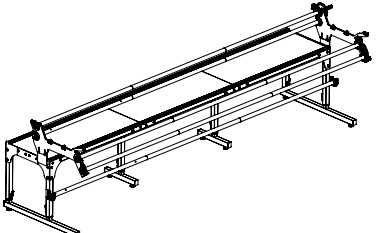
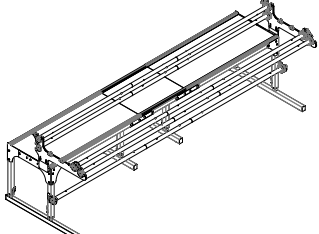
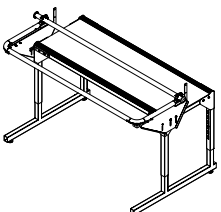
* V=Quilt Maker Pro Versa, 16 =Quilt Maker Pro 16, 18=Quilt Maker Pro 18, 20=Quilt Maker Pro 20
 ** Standard Accessory

Quilt Maker Pro

OPTIONAL ACCESSORY GUIDE

Frames



	ACCESSORY	PART NUMBER	COMPATIBILITY*			
	12' Pro Frame	PROFRAME12	V	16	18	20
	10' Pro Frame	PROFRAME10		✓	✓	✓
	5' Pro Frame	PROFRAME5		✓	✓	

* V=Quilt Maker Pro Versa, 16=Quilt Maker Pro 16, 18=Quilt Maker Pro 18, 20=Quilt Maker Pro 20

** Standard Accessory



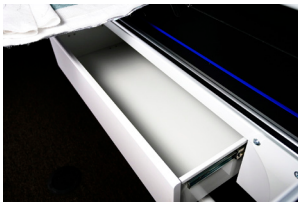
Quilt Maker Pro

OPTIONAL ACCESSORY GUIDE

Frame Accessories



Casters, Handwheel Kit, Fabric Hammock

	ACCESSORY	PART NUMBER	COMPATIBILITY*			
			V	5	10	12
	2 Foot Extension	QF09308-1		✓	✓	✓
	2' Table Extension	QT09014-JA	✓			
	Proframe Drawer 5'	HG01415		✓		

* V=Quilt Maker Pro Versa, 5=Pro Frame 5', 10=Pro Frame 10', 12=Pro Frame 12'

** Standard Accessory






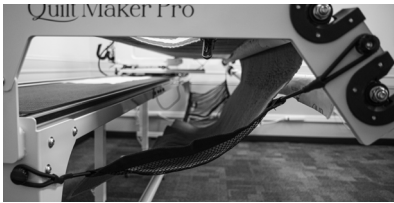
Frame Accessories

	ACCESSORY	PART NUMBER	COMPATIBILITY*			
			V	5	10	12
	Proframe Drawer 4'	HG01425			✓	✓
	Casters (8)	QF09346		✓	✓	✓
	Mini Casters (4)	QT09001-JA	✓			
	Tool Tray	HG00271		✓	✓	✓
	9.5' Leader	QF09557		✓	✓	✓
	4.5' Leader	QF09562		✓	✓	✓

* V=Quilt Maker Pro Versa, 5=Pro Frame 5', 10=Pro Frame 10', 12=Pro Frame 12'

** Standard Accessory

Frame Accessories

	ACCESSORY	PART NUMBER	COMPATIBILITY*			
			V	5	10	12
	11' Leader Set	QP09560		✓	✓	✓
	Hand Wheel Kit	QF09324		✓	✓	✓
	Channel Locks	HG00198-2		✓	✓	✓
	Electromagnetic Channel Lock (EMCL)	HG00707		✓	✓	✓
	5' Proframe Upgrade Kit	PROFRAME5UPGRADE		✓		
	Fabric Hammock	HG12000-JA		✓	✓	✓

* V=Quilt Maker Pro Versa, 5=Pro Frame 5', 10=Pro Frame 10', 12=Pro Frame 12'


** Standard Accessory

Quilt Maker Pro

OPTIONAL ACCESSORY GUIDE

Handlebar Accessories



	ACCESSORY	PART NUMBER	COMPATIBILITY*			
			V	16	18	20
	QMP 20 Rear Handlebar and Display Kit	QM29258				✓
	Rear Handlebar and Display Kit	QM29405		✓	✓**	

* V=Quilt Maker Pro Versa, 16 =Quilt Maker Pro 16, 18=Quilt Maker Pro 18, 20=Quilt Maker Pro 20
 ** Standard Accessory

