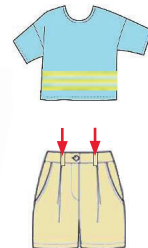
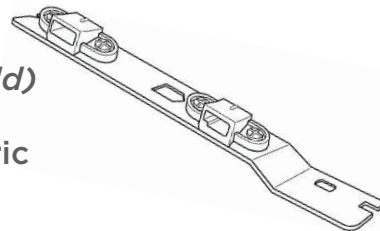




# Bias Tape Guide & Belt Loop Folder

For CoverPro Models

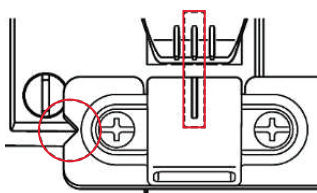
This attachment can be used in two ways: First as a **“Bias Tape Guide”** that can guide bias tape (*single fold*) and sew it on to knit fabric, and second as a **“Belt Loop Folder”** that can make belt loops from fabric tape.



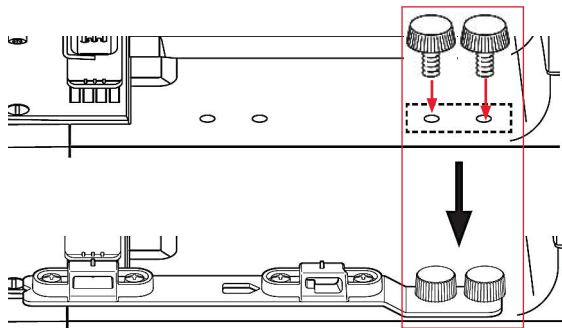
## Bias Tape Guide

### Point 1

Attach the attachment to the 2 holes on the front right of the CoverPro Models with the attachment screws (*standard accessories*).

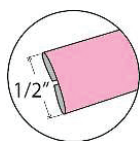
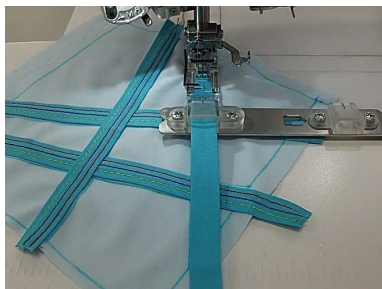


Set the attachment properly to the machine as shown above.

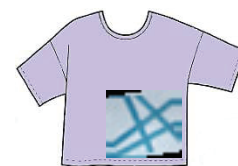


### Point 2

Single fold  $\frac{1}{2}$ " (12.7 mm) wide bias tape can be easily attached to knit fabric for decoration. Instead of bias tape, ribbons of around the same width can also be used. Enjoy creating decorative knit works!



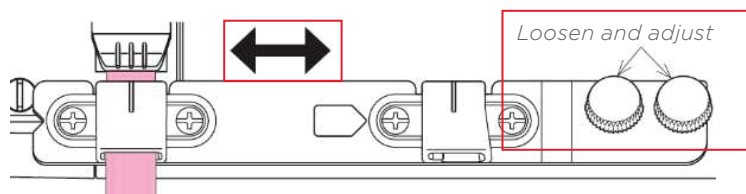
It is easier to use with the Extra Wide Table #795812008 (Optional Item)



You Can Decorate your work!

## Tip: How to Adjust Bias Tape Guide on CoverPro Models

If the seam line seems out of alignment, adjust the Bias Tape Guide position by loosening the attachment screws



Part No. 202464008



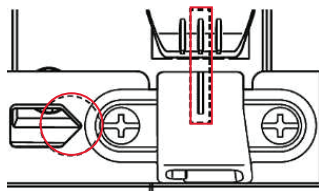
# Bias Tape Guide & Belt Loop Folder

...Continued

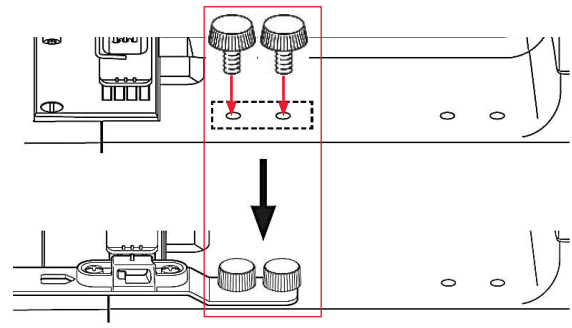
## Belt Loop Folder

### Point 1

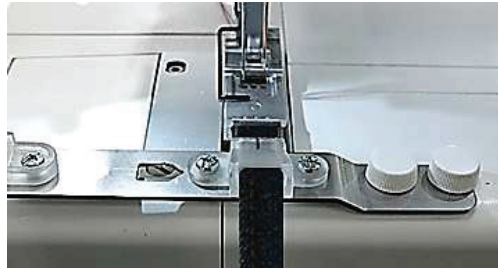
Attach the attachment to the 2 holes on the front left of the CoverPro Models with the attachment screws (standard accessories)



Set the attachment properly to the machine as shown above.



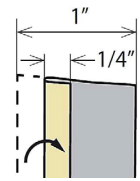
### Point 2



$\frac{7}{16}$ " (11 mm) wide belt loops can be easily made from 1" (25 mm) wide strips of fabric

Medium-heavy fabrics (10 oz denim or chino cloth, etc.) are recommended

After making a long belt loop, cut it to the appropriate length for each piece



Fold back the edge of the 1" (25mm) fabric tape to form a  $\frac{1}{4}$ " (6mm) fold and iron it.

### Tip: How to Adjust Belt Loop Folder on CoverPro Models

If the seam line seems out of alignment, adjust the Bias Tape Guide position by loosening the attachment screws

