



mod pods

placemats PROJECT



JANOME
WHAT'S NEXT

DESIGNED BY
Cynthia Frenette
art • design • fabric
cynthiafrenette.com

Along with all of the regular sewing equipment you'll need, ie: thread, needles, sewing machine, a walking foot will come in handy for quilting and appliqueing the placemats.

This pattern does not have pattern pieces for the placemat front/back, you will cut the required pieces using a rotary cutter/matt/ruler.

WHAT YOU'LL NEED:

FABRIC:

Placemats Front and Edge Binding:

1 yard Essex Yarn Dye Linen, Denim

Placemats Back:

1/2 yard Kona Cotton Solids
K001-91 Steel

Pods applique:

Kona Cotton Solids

One fat eighth each:

1087 Coral
1011 Bahama Blue
K001 480 Pickle
1007 Ash

- 1/2 yard Quilt batting
- 1/2 yard Fusible interfacing, Light or Medium weight
- Coordinating colour threads to match applique pod colours
- Contrast colour Thread

Seam allowance is 1/4" unless otherwise noted.

CUT

Placemat Front:

Cut 2: 13"x19" Essex Linen

Placemat Back:

Cut 2: 13"x19" Kona Cotton Solids, Steel

Placemat Batting:

Cut 2: 13"x19"

Placemat Binding, for 2 placemats:

Cut 4: 2-1/2" x WOF (Width of Fabric)

Pod Appliques- Print and use Pod template pattern piece on page 4, and cut one Pod of each colour solid, and four Pods of fusible interfacing.

DIRECTIONS

PLACEMAT BODY:

1. Make a quilt sandwich with one piece each of the Placemat Front linen, the quilt batting, and backing fabric, and quilt, using the Serpentine stitch and contrast colour thread.

Repeat for second placemat.

2. Trim each mat to 12"x18".
Set aside.

POD APPLIQUES, MAKE 4:

1. Place one fabric pod piece and one fusible interfacing piece right sides together (glue side of the interfacing facing the right side of the fabric piece) and stitch around the entire shape. Repeat for all four pods.

Clip curved edges with pinking shears or scissors.

2. With scissors and one sewn pod unit, carefully snip through the centre of the **interfacing layer only**, and cut an approx. 2" slit in the interfacing.

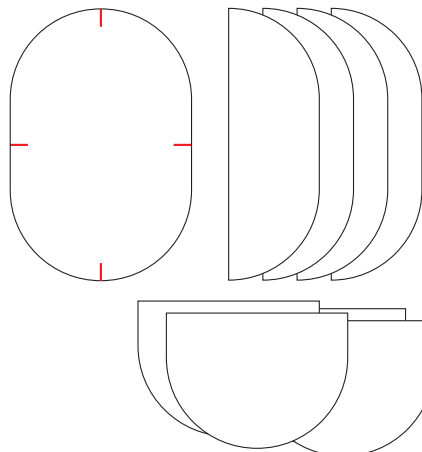
3. Turn the pod shape right sides out through the slit you just cut, and finger-press the seam all around the edges of the pod shape (do not use your iron at this point!).

Repeat for remaining pod pieces.

4. Transfer the vertical and horizontal centre lines from the pattern piece onto each pod, and use them to cut each pod in half as follows:

Cut two pods horizontally across, yielding four pieces.

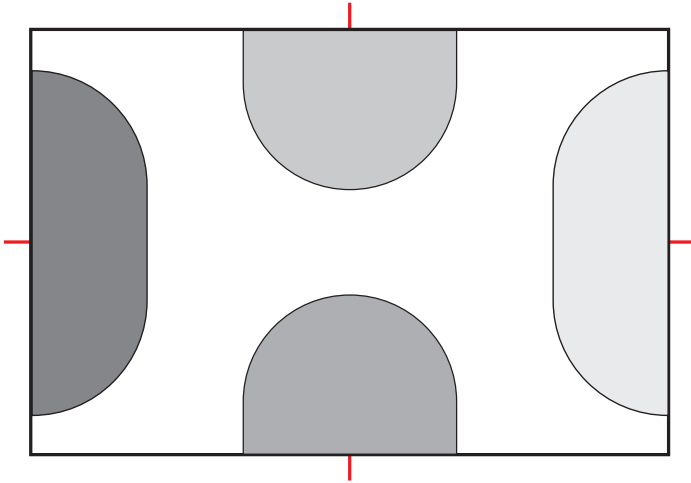
Cut the remaining two pods vertically, yielding four pieces.



CONTINUED...

ASSEMBLY

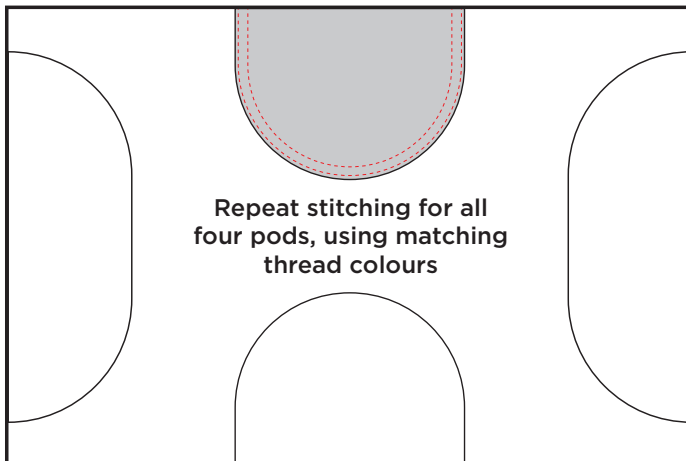
1. Measure and mark the vertical and horizontal centre of the placemat body pieces and place one of each colour pod applique piece onto the mat body, aligning raw/outer edges, and centering each piece as shown, and fuse into place with your iron, following manufacturer's instructions.



PLEASE FIND POD PATTERN TEMPLATE
ON FOLLOWING PAGE

PRINT AT 100% FULL SIZE,
DO NOT SCALE

2. With matching coloured thread, edgestitch around each pod's edge, and then topstitch at 1/4" from previous stitching.

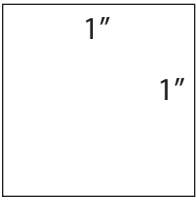


3. Repeat on second placemat. Set aside.

FINISHING

Attach binding using your preferred method.

Enjoy your new Mod Pods Placemats!



PRINT AT 100% SIZE
DO NOT SCALE



PLACEMAT POD TEMPLATE
1/4" SEAM ALLOWANCE INCLUDED

CUT 1 FABRIC
CUT 1 FUSIBLE INTERFACING
FOR EACH COLOUR POD (4)