



Piping Foot (narrow)

For 9mm, 7mm, or 5mm Maximum Stitch Width Models

This foot is used for piping with a cord diameter of about 2 mm. It is useful for making narrow piping tape using the same fabric as the piece of work, or for attaching piping tape to fabric.

Available for 9mm, 7mm, or 5mm Maximum Stitch Width Models.

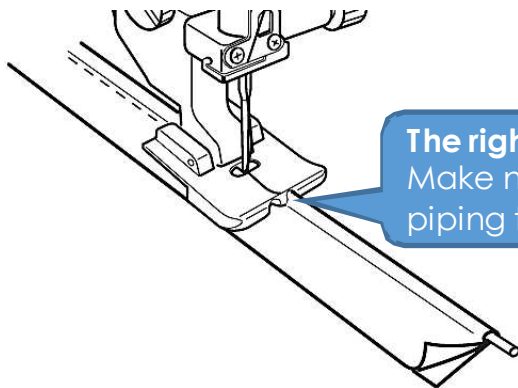


9mm Stitch Width

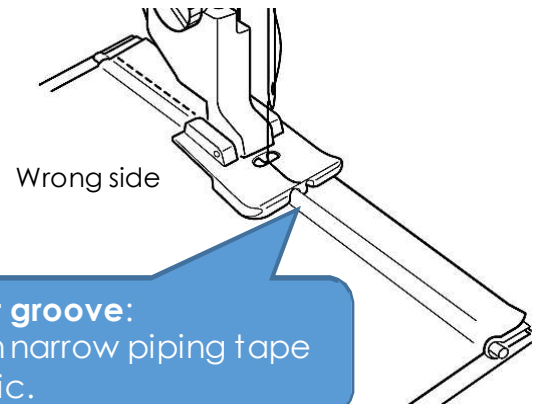
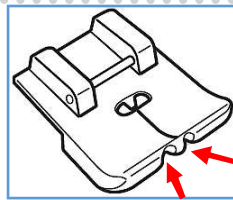


7mm/5mm Stitch Width

The Role of Each Groove



The right groove:
Make narrow piping tape.

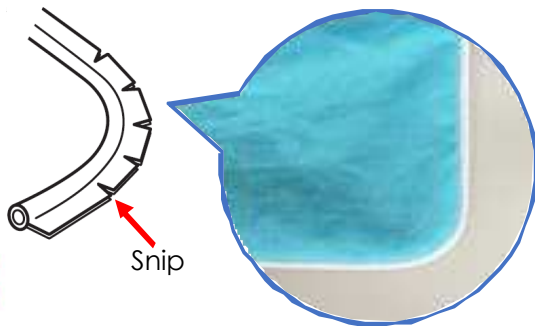


The left groove:
Attach narrow piping tape to fabric.

Smooth Sewing Curves

There are two grooves on the back side with the left one shorter than the right one. The foot is therefore suitable for curve sewing as well.

In preparation for sewing a curve, snip several cuts in the tape as shown below.



Back side of the foot



Can be Used for Top Stitching

Using the sewn piping cord as a guide, you can top stitch with the same curve.



MODEL TYPE	PIPING FOOT NARROW
TOP LOADING 9MM STITCH WIDTH MODELS	202-462-006
7MM/5MM STITCH WIDTH MODELS	202-502-009